

IRONMAN 4x4

INTRODUCING OUR NEW RANGE OF

FRONTIER WINCHES



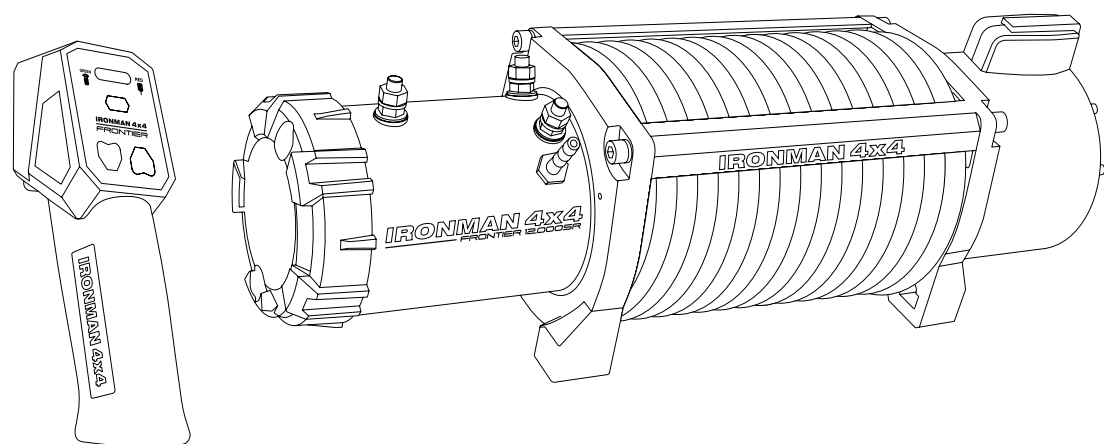
FRONTIER WINCHES

DON'T GET STUCK IN A RUT

A winch can serve many purposes, not least, very affordable insurance.

The Ironman 4x4 Frontier winch range, is a dependable winch utilising a refined yet proven design that our customers have relied on for over a decade.

- Wire and synthetic rope models
- 9,500lb and 12,000lb models
- 3-Stage planetary gears
- Submersible to 1 metre
- Seals are protected by a built-in breather
- Dual function, wireless and wired remote
- Up to 34ft per minute line speed



5
YEAR
WARRANTY

FRONTIER FEATURES

Synthetic & Wire Rope Option

Horses for courses, as they say.

Steel rope winches are as tough as they come; low maintenance and a line that is resistant to damage in the harshest conditions.

Synthetic ropes are a fantastic alternative to steel rope as they are lighter and more pliable which makes them easier to handle and operate in a recovery situation. The rope is designed to float and also reduces the weight on the front of your vehicle.

9,500lb & 12,000lb Options

Matching the right size winch to your vehicle is more than just choosing horsepower.

To ensure that you have the safest and most appropriate winch for your 4x4, the Frontier winch is available in both 9,500 and 12,000lb; synthetic and wire options.

Submersible To 1 Metre

With an IP68 rating the winch can be submerged to 1 metre for up to 30 min without water getting into the mechanics, this means that you can drive through rivers until your heart's content knowing that your winch will be just fine!

Built-in Breather

A unique feature, this one-way breather allows air from inside the winch to escape when a hot winch gets cold. There's a science to it, but the simple fact is this little feature will save the seals on your winch and stop water getting inside, even when a little mistreated.

Wired / Wireless Remote

Having a wireless remote adds great practicality and safety to a recovery, until you forget to charge it. It is at this point, a wireless remote that you can plug in, can't be beat.

5 Year Mechanical Warranty

Better than any 4x4 insurance you'll pay!



	RANGE	FRONTIER			
	MODEL	Frontier 9,500l - Synthetic	Frontier 12,000lb - Synthetic	Frontier 9,500lb - Wire	Frontier 12,000lb - Wire
	SKU	IMW9500MSR	IMW12000MSR	IMW9500MWR	IMW12000MWR
RATING & PERFORMANCE					
RATING	lb	9,500	12,000	9,500	12,000
	kg	4,750	5,454	4,750	5,454
MOTOR	HP	4.5HP	6.0HP	4.5HP	6.0HP
POWER	VOLTAGE	12V			
	CURRENT DRAW @ 12V	74	75	74	75
	MAX CURRENT DRAW @ 12V	350	360	350	360
LINE SPEED	FT/MIN @ (no load)	34.56ft/min	28.25ft/min	34.56ft/min	28.25ft/min
	FT/MIN @ (full load)	7.38ft/min	5.25ft/min	7.38ft/min	5.25ft/min
WATER INGRESS	IP RATING	IP68		IP68	
BREATHER	INCLUDED	YES		YES	
GEARING	RATIO	218:1	218:1	218:1	218:1
	TYPE	3 Stage Planetary		3 Stage Planetary	
BRAKE		Auto cam lock-in brake		Auto cam lock-in brake	
CLUTCH	ACTIVATION DIRECTION	Clockwise-disengage/ Anticlockwise-engage		Clockwise-disengage/ Anticlockwise-engage	
RECOVERY LINE					
LINE	TYPE	SYNTHETIC		STEEL CABLE	
	DIAMETER	9.5mm	9.5mm	8.3mm	9.5mm
		3/8"	3/8"	5/16"	3/8"
	LENGTH	25m	25m	28m	26m
		82ft	82ft	92ft	85ft
	BREAKING LOAD	8,616kg	8,616kg	6,800kg	8,164kg
		19,000lb	19,000lb	15,000lb	18,000lb
ROPE CONNECTION	SPliced LUG		BOLTED		
CONTROLLER	TYPE	REMOTE & WIRED		REMOTE & WIRED	
HOOK	TYPE	STEEL HINGED		STEEL HINGED	
FAIRLEAD	STYLE	HAWSE		ROLLER	
HAND STRAP	WEBBING	YES		YES	

FRONTIER

	RANGE	FRONTIER			
	MODEL	Frontier 9,500l - Synthetic	Frontier 12,000lb - Synthetic	Frontier 9,500lb - Wire	Frontier 12,000lb - Wire
	SKU	IMW9500MSR	IMW12000MSR	IMW9500MWR	IMW12000MWR
WEIGHTS & DIMENSIONS					
DIMENSIONS	L x W x H (inch)	21.1 x 6.3 x 10.5" (with control box)			
		21.1 x 6.3 x 7.16" (without control box)			
	L x W x H (mm)	535 x 160 x 267mm (with control box)			
		535 x 160 x 182 mm (without control box)			
WEIGHT	lb	60.5	61.6	82.5	83.6
	kg	27.5	28	37.5	38
POWER CABLE	SIZE	0 B&S			
	MATERIAL	COPPER			
	LENGTH (inch)	Control Box - 24" x 3pc Positive (Red) - 81.1" x 1pc Negative (Black) - 82.7" x 1pc			
	LENGTH (cm)	Control Box - 61cm x 3pc Positive (Red) - 206cm x 1pc Negative (Black) - 210cm x 1pc			
CERTIFICATION					
CERTIFICATION	EMC / CE / UL / ROHS / ETC	CE	CE	CE	CE



IRONMAN 4x4

FRONTIER WINCH